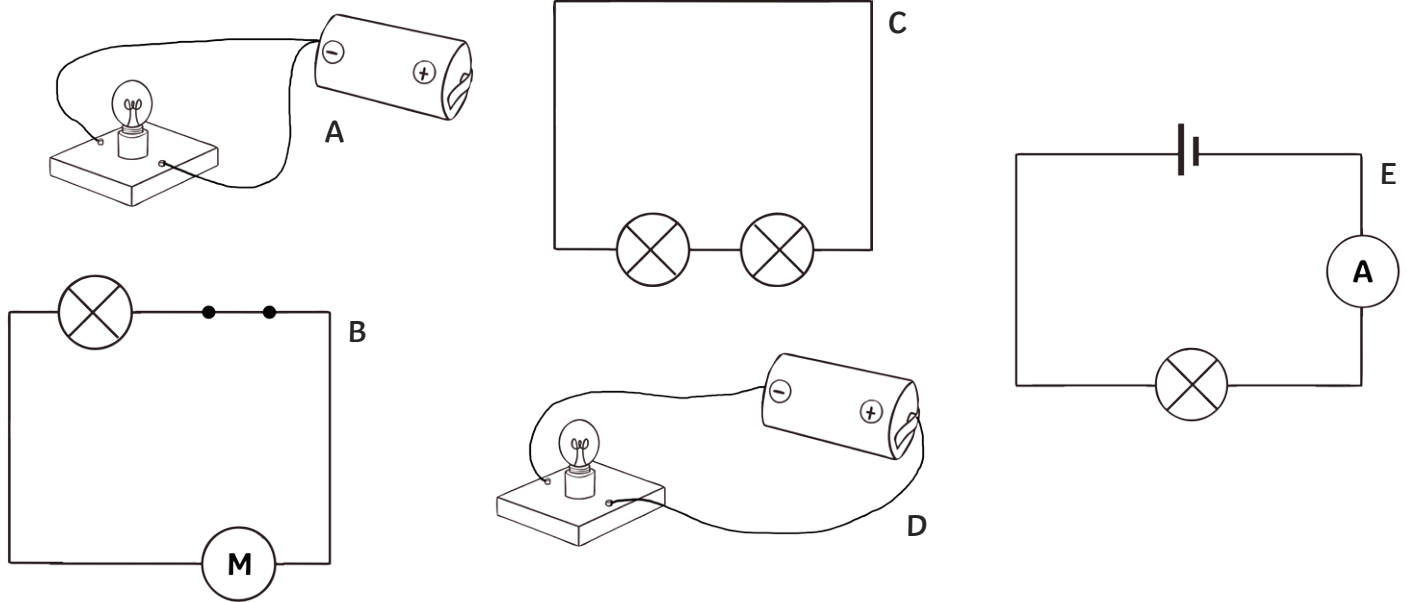


Electricity and Magnetism Test Yourself 2

Will it Work?

Look at the circuits below. State which circuits would not work, and how you would correct them.



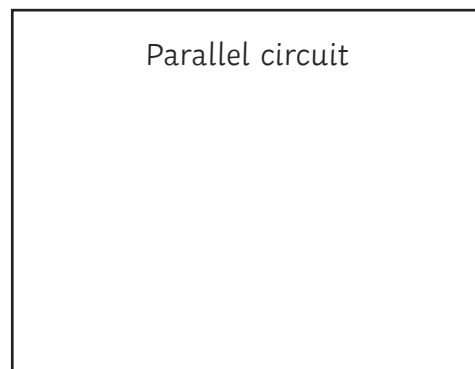
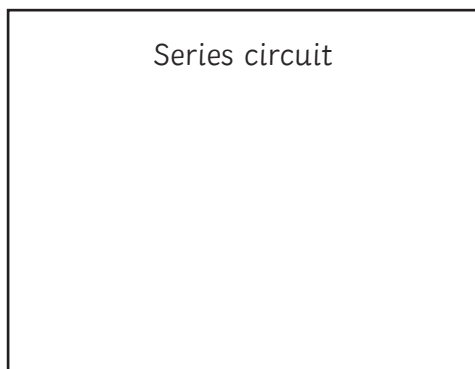
Magnets

For each diagram, state whether the magnets would repel or attract.



Potential Difference

A 6v battery and three identical bulbs were used to make a series and a parallel circuit. In the boxes below, draw the circuits and show where the voltmeter would be placed. What would be the voltage in each of the bulbs?



Answers

Will it Work?

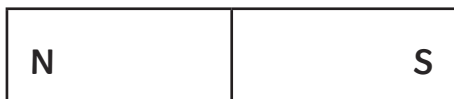
Look at the circuits below. State which circuits would not work, and how you would correct them.

A will not work – one of the wires needs to be connected to the positive end of the battery.

B and C will not work – they need a power source.

Magnets

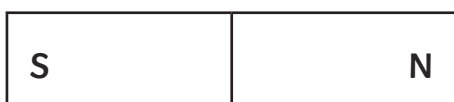
For each diagram, state whether the magnets would repel or attract.



Repel



Attract



Repel



Potential Difference

A 6v battery and three identical bulbs were used to make a series and a parallel circuit. In the boxes below, draw the circuits and show where the voltmeter would be placed. What would be the voltage in each of the bulbs?

